



RELOJ NENE & NENA

Technical Information

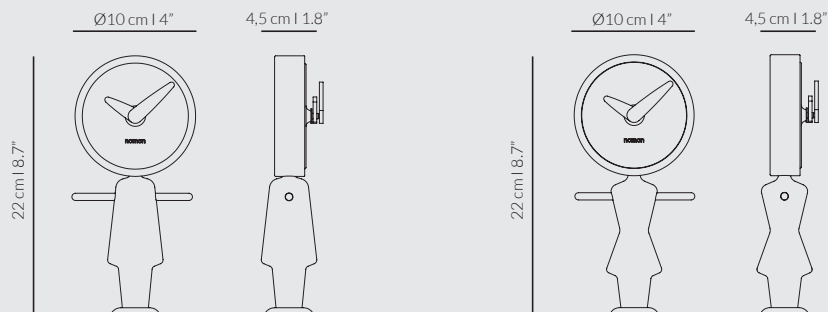
nomon
JEWELRY FOR HOME

NENE & NENA

Technical Information

nomon
JEWELRY FOR HOME

TECHNICAL DRAWINGS



MATERIALS

BODY / ESTRUCTURA

Nene: Solid Walnut wood or oak finished wood / *Madera de nogal o acabado roble*

Nena: Solid Walnut wood or oak finished wood / *Madera de nogal o acabado roble*

HANDS / AGUJAS

Nene: Solid Walnut wood or oak finished wood / *Madera de nogal o acabado roble*

Nena: Solid Walnut wood or oak finished wood / *Madera de nogal o acabado roble*

ARMS / BRAZOS

Nene: Graphite finished brass or polished brass / *Latón acabado grafito o latón pulido*

Nena: Graphite finished brass or polished brass / *Latón acabado grafito o latón pulido*

MECHANISM / MECANISMO

UTS German / *UTS alemán*

NENE & NENA



GRAPHITE
FINISHED
BRASS



POLISHED
BRASS



WALNUT
WOOD



OAK
FINISHED
WOOD

PACKAGING

Weight / *Peso*: 0.35 Kg | 0,35 Kg

Net weight / *Peso neto*: 0.25 Kg | 0,25 Kg

Volumetric weight / *Peso volumétrico*: 0.60 Kg | 0,60 Kg

Dimensions / *Dimensiones*: 6.7" x 11.4" x 2.4" | 17cm x 29cm x 6cm

