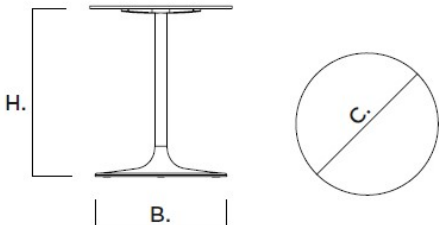
	SCHEDA TECNICHE / TECHNICAL SPECIFICATIONS	ST431	Autore ASC
	TAVOLO FLINK FLINK TABLE	Rev. 00	Data 04/12/19
			Pag. 1 di 1



Piano tavolo <i>Table top</i>	<ul style="list-style-type: none"> • Laminato. • Acciaio inox. • Fenix. <ul style="list-style-type: none"> • <i>Laminate.</i> • <i>Stainless steel.</i> • <i>Fenix.</i>
Caratteristiche struttura <i>Frame structure specs</i>	<ul style="list-style-type: none"> • Crociera supporto tavolo in alluminio presso fuso pulito. • Colonna in tubo tondo diametro 50 mm, spessore 2,5 mm, secondo norma UNI EN 10305-3. • Base ricoperta in acciaio, spessore 3 mm, con contrappeso in acciaio, spessore 8 mm. <ul style="list-style-type: none"> • <i>Table support crossbar in polished die casting aluminium.</i> • <i>Column in round tube diameter 50 mm, thickness 2,5 mm, accordingly with UNI EN 10305-3 rule.</i> • <i>Steel covered base, thickness 3 mm, with steel counterweight, thickness 8 mm.</i>
Finitura struttura <i>Structure finishing</i>	<ul style="list-style-type: none"> • Struttura verniciata con polveri epossipoliesteri con spessore medio 50 µ. <ul style="list-style-type: none"> • <i>Painted structure with epoxy-polyester powder with average thickness of 50 µ.</i>

	<table border="0"> <tr> <td>H.</td> <td>B.</td> <td>C.</td> </tr> <tr> <td>Height</td> <td>Base</td> <td>Top</td> </tr> <tr> <td>450mm</td> <td>Ø 555mm</td> <td>Ø600mm</td> </tr> <tr> <td>710mm</td> <td></td> <td>Ø700mm</td> </tr> <tr> <td>1070mm</td> <td></td> <td>Ø800mm</td> </tr> </table>	H.	B.	C.	Height	Base	Top	450mm	Ø 555mm	Ø600mm	710mm		Ø700mm	1070mm		Ø800mm
H.	B.	C.														
Height	Base	Top														
450mm	Ø 555mm	Ø600mm														
710mm		Ø700mm														
1070mm		Ø800mm														